

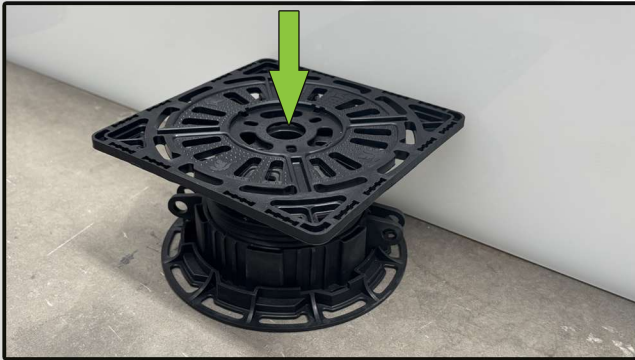
MAXIMUS

PEDESTAL SYSTEMS



Quick and simple **Plastic Multiplate** edge spacing solution

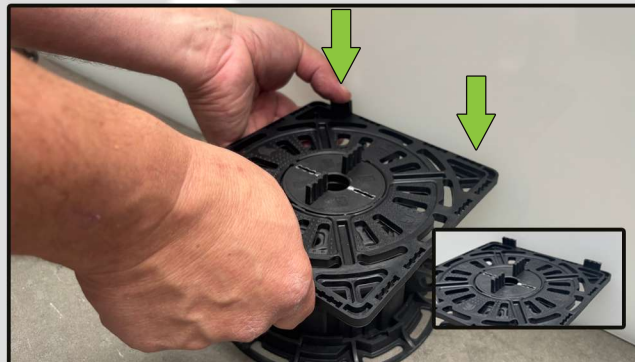
Plastic multi wall spacing plate creates a **4mm gap** between the paver and perimeter



Place the **pedestal** hard up against the perimeter wall and push the multiplate onto the pedestal head



Step 1: Insert the 4mm spacer tab (included with pedestals) and create a vertical line by snapping off 2 spacer tabs



Step 2: Use the 2 snapped out spacer tabs and insert vertically in the provisions on the edge of the multiplate to create the 4mm gap against the perimeter



Step 3: Install pavers on the multi plate against the perimeter wall. To create a consistent perimeter gap, ensure a minimum of 2 spacer tabs are used



Step 4: Pavers are now installed with a 4mm gap against the perimeter wall



SIMPLICITY



SPEED



USEABILITY



FLEXIBILITY

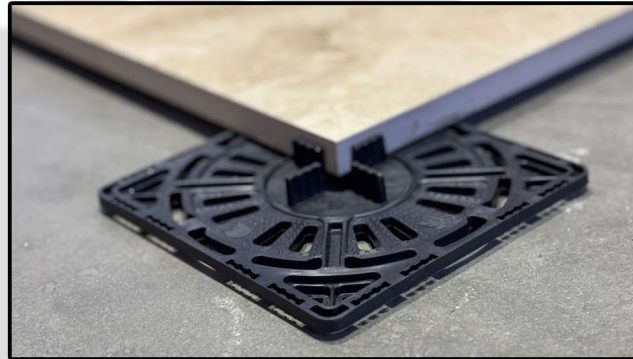


Plastic multiplate is the solution for achieving a low height starting at 10mm

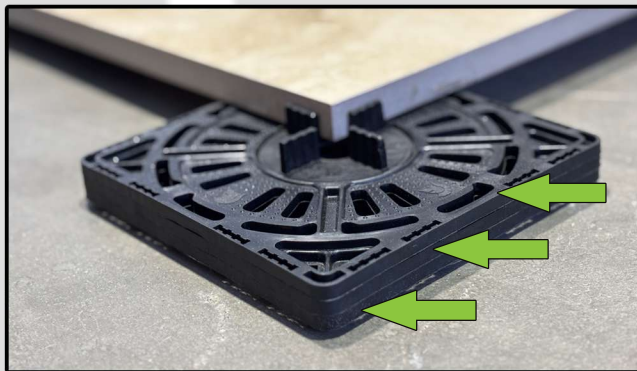
Quick and simple Plastic Multiplate low height solution



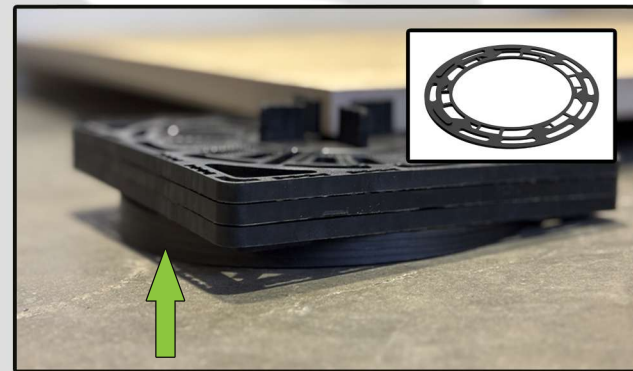
The Multiplate has been specifically designed to achieve a low height solution of 10mm (minimum)



Step 1: Insert the 4mm spacer tab to intersect 4 tiles or snap 2 tabs to create a vertical line and place on the substrate



Step 2: The Multiplates are stackable increasing 5mm when each plate is added. The underside of the Multiplates have locating tabs to stop movement



Step 3: The multiplate is compatible with the Maximus click and connect slope correctors. Add these under the Multiplate to compensate substrate fall.



Step 4: Pavers are now installed as low as 10mm and can be levelled to suit substrate



SIMPLICITY



SPEED



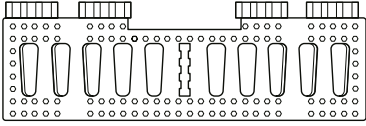
USEABILITY



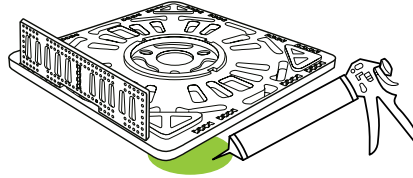
FLEXIBILITY

The MAXIMUS Multiplate

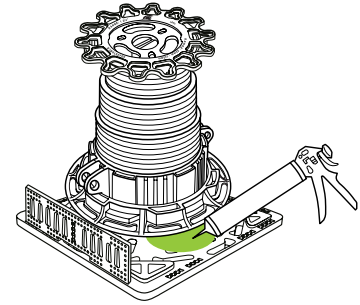
The MAXIMUS Plastic Multiplate facer accessories



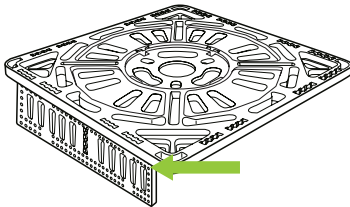
The facer accessory is compatible with the multiplate to conceal live edges or build steps and stairs.



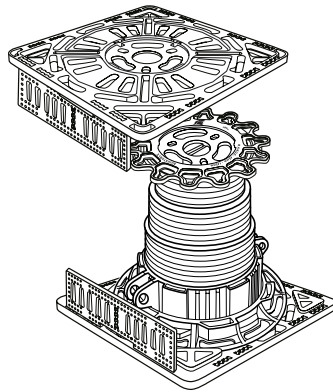
Adhere the multiplate upside down to the substrate and insert the facer accessory to the live edge.



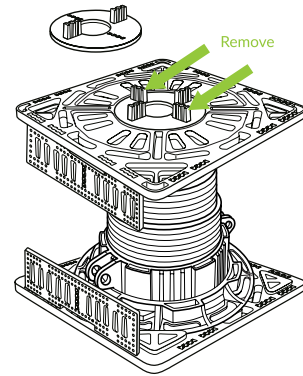
Adhere base of pedestal to the multiplate



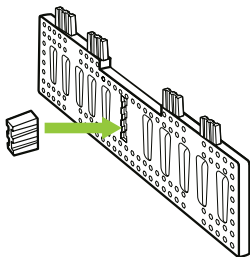
Use a second multiplate and attach a facer accessory to the underside.



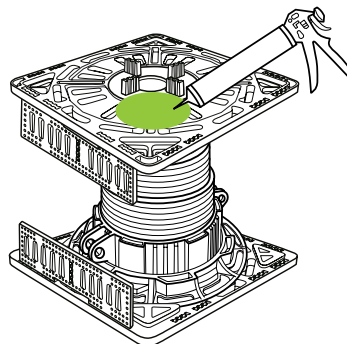
Place the multiplate on the top of the pedestal and rotate until it clicks into place.



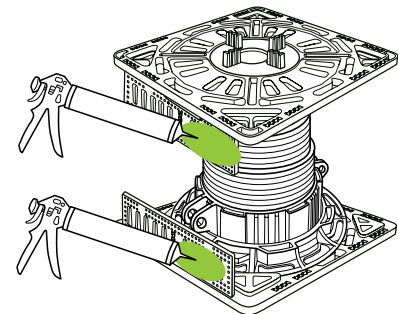
Insert spacer tab and snap out 2 spacer to create a vertical line.



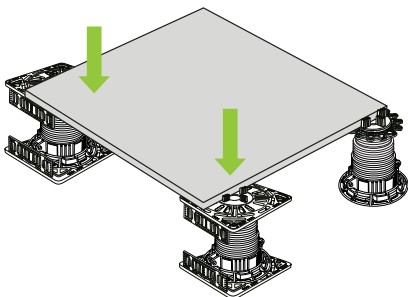
With the removed space tab, insert from the back through the center.



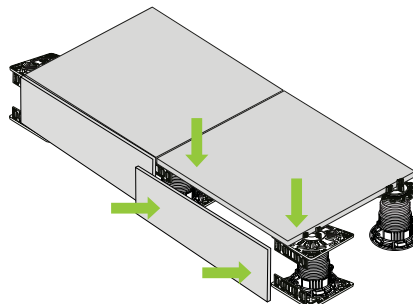
Apply adhesive to the top of the multiplate ready to adhere tile.



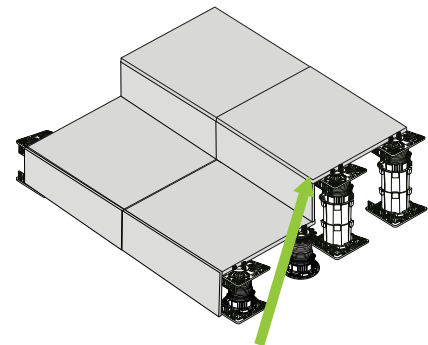
Apply adhesive to the facer accessories.



Place tile on the multiplates and press downward to ensure adhesive bonds.



Place riser tile to the facer accessories.



Note: An aluminum profile or trim can be added to cover the edge of the line

Repeat process to create steps increasing the pedestal heights.