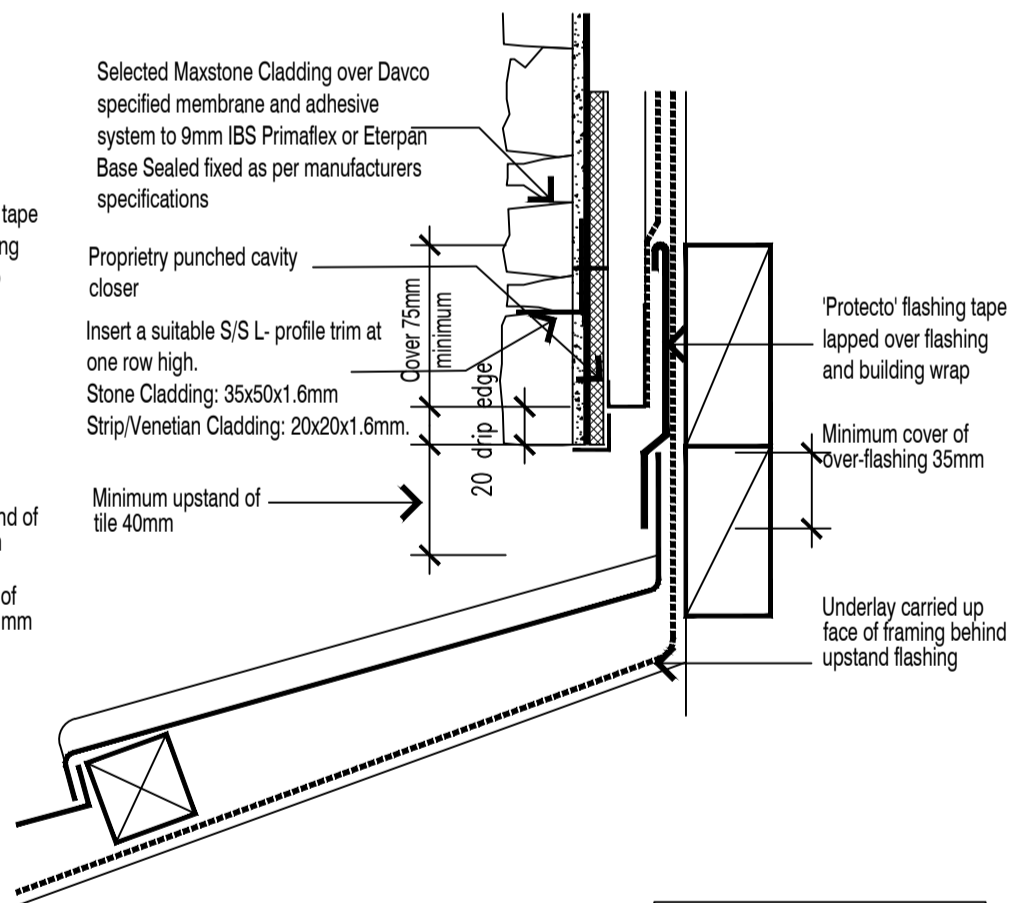
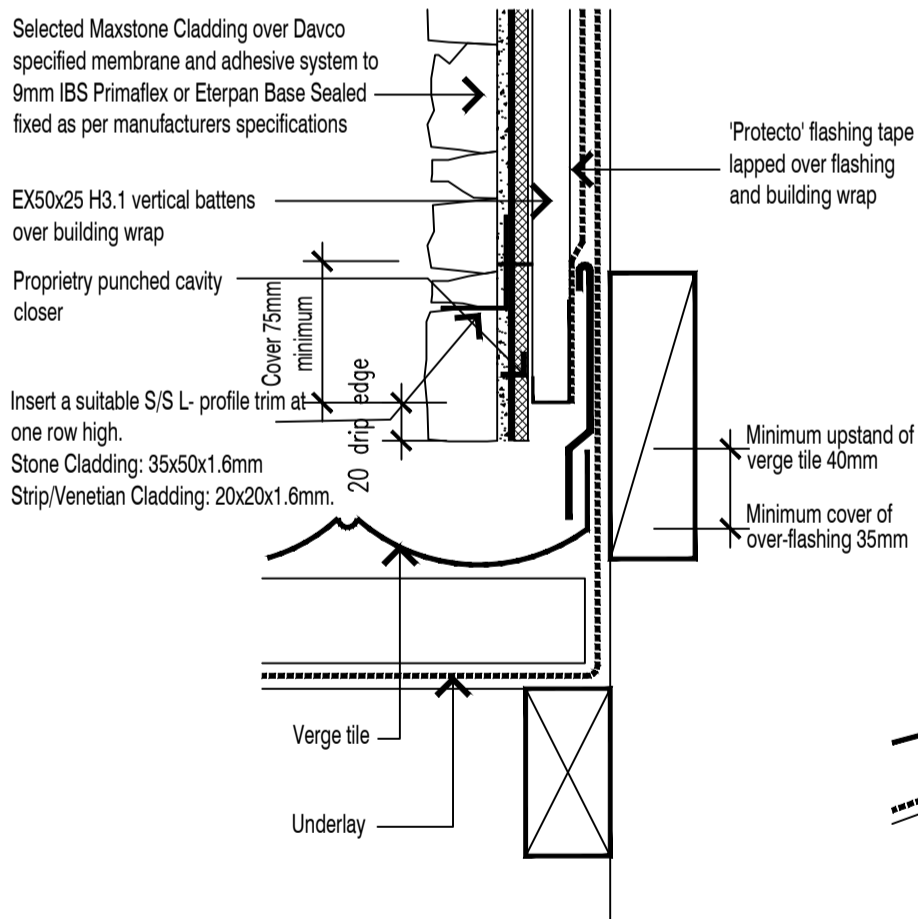


NOTE: EX50X25 BATTENS CAN BE SUBSTITUTED WITH EX50X50 WHERE APPROPRIATE

NOTE: SUBSTRATE TO BE FIXED IN STRICT ACCORDANCE WITH MANUFACTURER RECOMMENDATIONS AND LITERATURE

ROOF ABUTMENT DETAIL METAL TILE ROOFING	SCALE	DATE
	NTS	27/08/2019
	TILEMAX	MAXSTONE



NOTE: EX50X25 BATTENS CAN BE SUBSTITUTED WITH EX50X50 WHERE APPROPRIATE

NOTE: SUBSTRATE TO BE FIXED IN STRICT ACCORDANCE WITH MANUFACTURER RECOMMENDATIONS AND LITERATURE

ROOF ABUTMENT DETAILS METAL TILE ROOFING	SCALE	DATE
	NTS	27/08/2019
	TILEMAX	MAXSTONE



TILEMAX LIMITED
0508 TILEMAX

Maxstone suggested detail only - details to be approved by relevant city council and comply with NZBC where applicable.