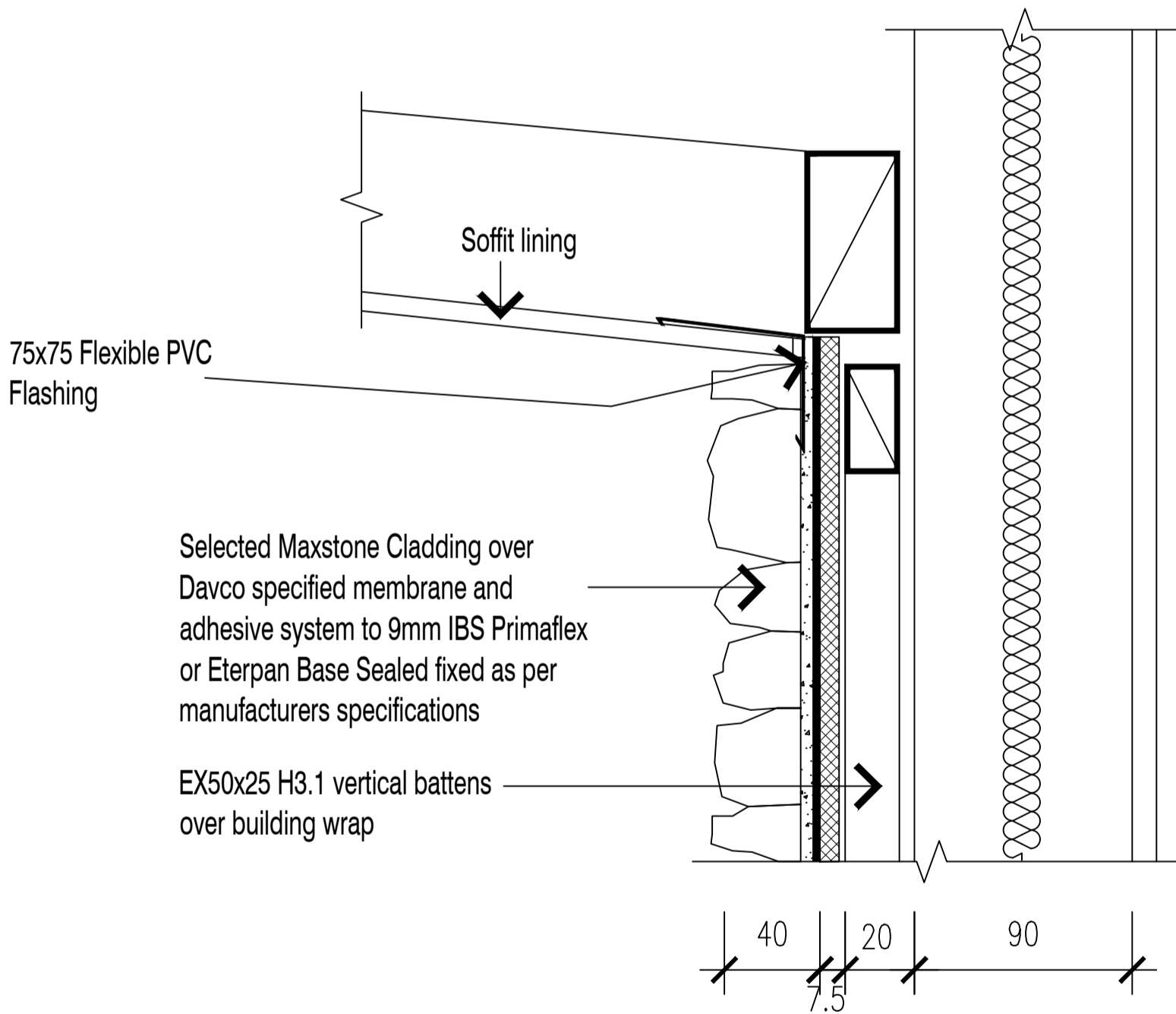




REVERSE EAVE SOFFIT DETAIL

Scale	Date
NTS	27/08/2019
TILEMAX	MAXSTONE



NOTE: EX50X25 BATTENS CAN BE SUBSTITUTED WITH EX50X50 WHERE APPROPRIATE

NOTE: SUBSTRATE TO BE FIXED IN STRICT ACCORDANCE WITH MANUFACTURER RECOMMENDATIONS AND LITERATURE