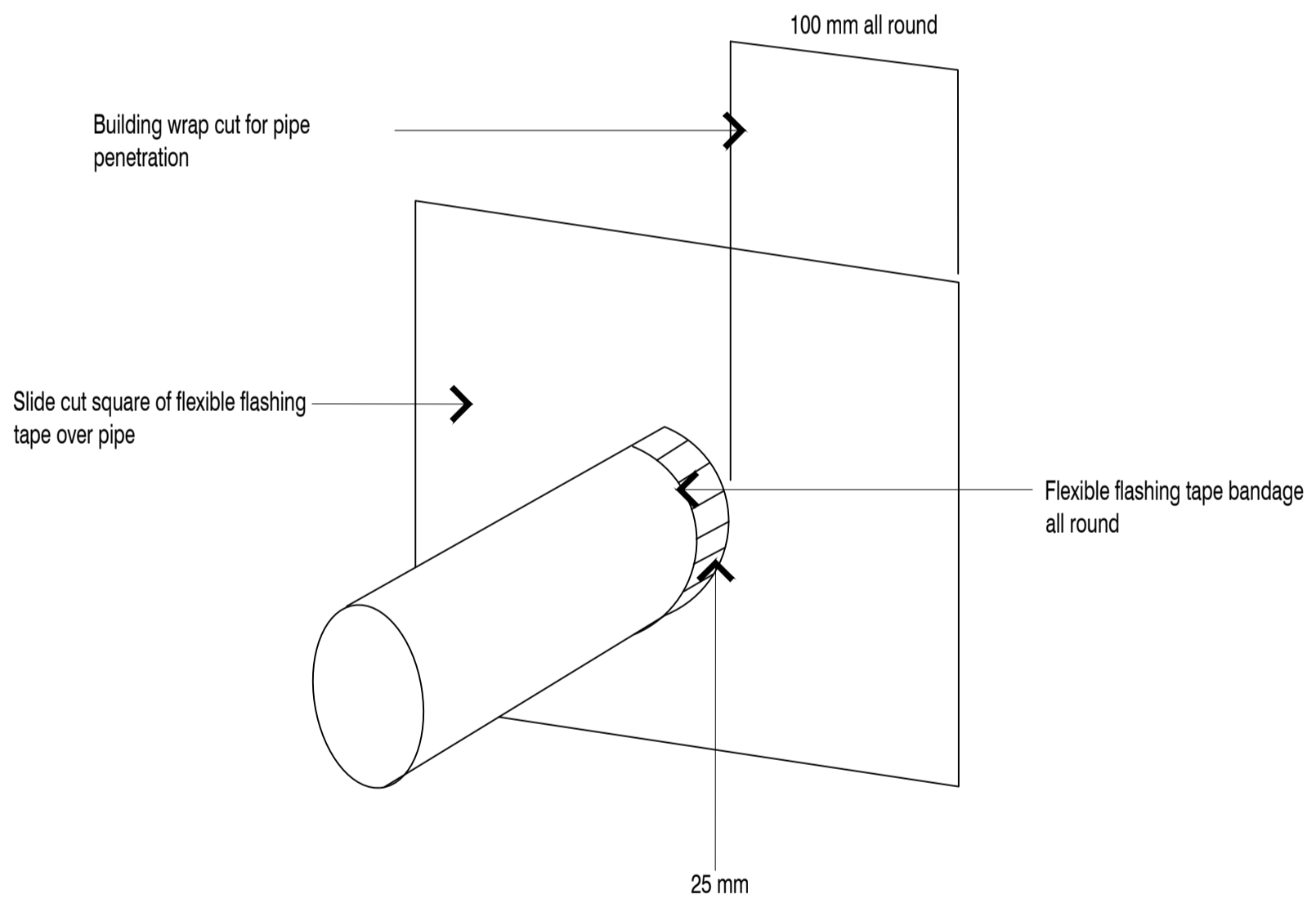




<h1>PIPE PENETRATION</h1>	Scale	Date
	NTS	27/08/2019
	TILEMAX	MAXSTONE



**NOTE:** EX50X25 BATTENS CAN BE SUBSTITUTED WITH EX50X50 WHERE APPROPRIATE

**NOTE:** SUBSTRATE TO BE FIXED IN STRICT ACCORDANCE WITH MANUFACTURER RECOMMENDATIONS AND LITERATURE