

CUSTOM CHANNEL GRATES

LENGTH | FINISH | COLOUR | WASTE OUTLET

lauxes
GRATES

INSTALLATION GUIDE

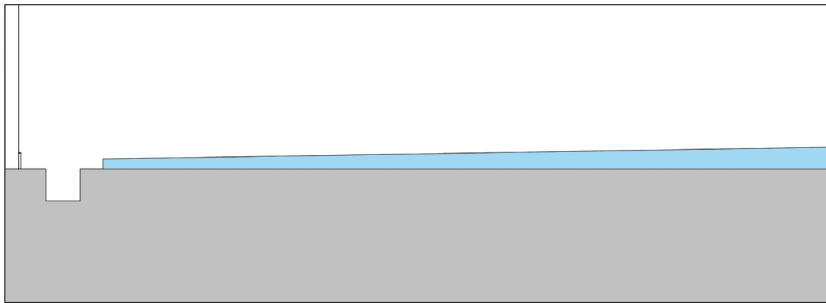


LAUXES CHANNEL DRAIN INSTALLATION INSTRUCTIONS

These instructions are provided as a helpful guide to installing your Lauxes channel drain. Please ensure you pass this copy to your Tiler / Installer to ensure trouble free and correct installation. The seller will not be held responsible for improper installation or specific jobsite conditions.

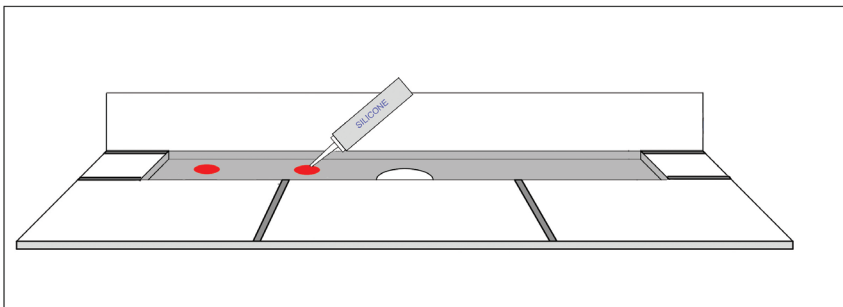
1. PREPARATION

- a) Check that the fall in the shower tray has been installed as to the correct falls.
- b) Ensure that an appropriate flange has been attached to the waste pipe in the floor. We recommend the Allproof brand.
- c) Ensure that the shower floor and recess for the channel drain have been waterproofed up to and down into the flange

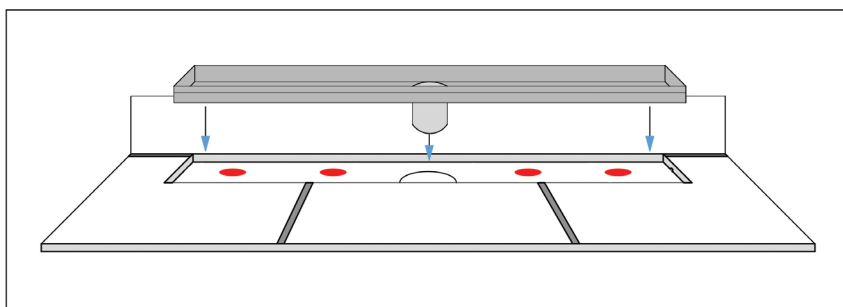


2. Installation

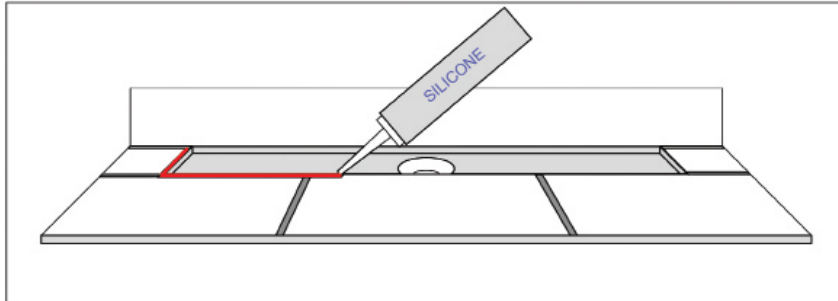
- a) Apply dabs of neutral cure silicone or tile adhesive to the channel cutout.



- b) Lower the channel insert in onto the dabs of adhesive and leave it to cure before proceeding further.



c) Seal around the perimeter between the channel drain and the wall and the channel drain and the shower base (where the tiles meet) with a neutral cure silicone and allow to cure.



d) Place the grating of the channel into the trough.

3. Inserting tiles for a tile insert drain

a) If it is a tile insert finish, glue tiles into the plate using silicone and allow to cure before grouting the tile joints. When this is cured, seal around the perimeter where the tiles and the plate meet with a neutral cure silicone.

